



INFRATOP INNOVATIVE CEILING SYSTEM

FREEDOM BEGINS AT HOME

At VOX, we believe that true freedom begins at home and the place we live in makes a huge impact on our lives. That is why our goal is to continuously develop and deliver comprehensive solutions – from matching collections of wall systems, furniture, doors and floors, to the highest quality facade cladding and ceilings.

The focus of the VOX brand is on people, their needs and values, and that is why we create our products and services using knowledge from various fields. Thanks to cooperation with psychologists, sociologists or anthropologists, we design solutions that support our customers in creating their own space, and our products meet customer's expectations and changing needs.

This is how the innovative Infratop ceiling system was created. When designing this solution, we took care of every detail. This is a new quality in the finishing of ceilings both inside and outside the house.





YOUR HOME'S EXCELLENT FINISH

The innovative Infratop ceiling system is a practical and problem-free way to finish roofs, balconies and terraces. It can also be used in private houses - in bedrooms, living rooms or bathrooms.

Infratop has been designed with both functionality and aesthetics in mind. Thanks to the click system and the increased rigidity of the panels, its installation is quick and easy. The product is lightweight, durable and maintenance-free. There are two colour ranges to choose from: Unicolor and Nature. Wood-like colours perfectly reflect the grain of the wood and resemble natural, wooden boards in shape. Thanks to the use of perforations, we also took care of the proper protection and ventilation of the surface on which Infratop is installed.

Infratop from VOX is a convenient and economical alternative to wooden ceilings.





ON YOUR FAVOURITE TERRACE

Morning coffee on the terrace with your favourite book or in your favourite company?

Many of us value these moments. Regardless of the weather, our products guarantee you comfort while resting in the fresh air.



THE LIGHTING CREATES A PLEASANT ATMOSPHERE

The panels can be fitted with numerous lighting points. Properly selected lighting improves the atmosphere of the place making it unique while the surroundings of the house gain in aesthetics.

MOODY INTERIOR

Wood in a room provides it with cosiness and warmth. Materials that faithfully resemble it help create a moody and atmospheric interior.



THE HIGHEST QUALITY

In order to provide the best practical solutions for your home, you choose the best quality products, that can be used for many years.

At VOX, we offer you a ceiling with a 10-year warranty. It is resistant to changing weather conditions and biological corrosion. Moreover, one of its characteristics is high-quality printing.

INFRATOP. KEY ADVANTAGES



NATURAL WOOD
REFLECTION



NO MAINTENANCE
REQUIRED



QUICK AND EASY
INSTALLATION



CLICK
SYSTEM



RESISTANCE TO CHANGING
WEATHER CONDITIONS



10-YEAR
WARRANTY



INFRATOP. INVESTMENT IN THE FUTURE

— COMFORT AND CONVENIENCE

Quick, intuitive installation, easy to clean, resistant to weather conditions and biological corrosion – thanks to these features, you can comfortably and effortlessly enjoy your home's beautiful finish for many years.

— REASONABLE CHOICE

Not only does it save you time and money, as it does not require any maintenance, but it also results in lower operating costs. It acts as additional roof insulation which prolongs the life of roof structure elements.

— AESTHETIC DESIGN

The panels have the texture of natural wood, so they can be easily adapted to the wood joinery of your house. In addition, Infratop will allow you to install lighting that will hide cabling and structural elements of the roof.

— INNOVATIVE SOLUTIONS

VOX ceiling panels offer hidden ventilation, just one of the innovative and patented solutions offered by VOX. We are constantly working on improving our technologies. That is why when we produced new colours from our Nature collection, we used Thermal Printing 2, a modern and precise printing technology. Thanks to this, wood-like decors are more similar to natural wood because they have a more interesting and diverse pattern.



VENTILATION. GUARANTEE OF MANY YEARS OF USE

— AIR CIRCULATION

A typical feature of the Infratop ceiling are its perforated openings which ensure adequate ventilation, allowing proper moisture removal and air circulation.

— TOP LEVEL PROTECTION

Thanks to the construction with ventilation openings, the ceiling protects the roof against moisture, fungi and mould. Additionally, the shape of the perforation holes provide protection against insects such as wasps, bumblebees and hornets.

— TWO SYSTEMS OF INFRATOP CEILING

VOX offers two types of ceilings. The first one is a ceiling with visible perforation on the SV(P)-07 panel, installed in combination with the unperforated SV(P)-08 panel. The second type is the SV(P/PU)-09 ceiling with hidden ventilation. Only one type of panel is needed to install it. It is a convenient solution which significantly shortens installation time. Both perforation systems guarantee the best quality and many years of use.



HIDDEN VENTILATION

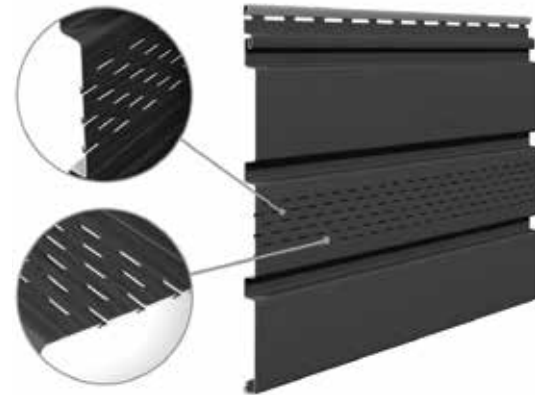


Type SV(P/PU)-09

A patented solution. It is the recess of the panel that is perforated, which produces a better aesthetic result while still ensuring appropriate ventilation of the roof slope.



WELL THOUGHT-OUT DESIGN



Type SV(P)-07

A ceiling with visible perforation on the panel, enabling proper roof ventilation.



NATURE COLLECTION

NEW



Oak (made to order)



Winchester Oak



Golden Oak



Walnut

Panels from the Nature collection are made using Thermal Printing technology. Thanks to this technique, our panels are highly resistant to mechanical damage and sunlight. They look like natural wood. The latest colour, Winchester Oak, was made using Thermal Printing technology 2. Because of that, the wood pattern on the ceiling is even more diverse and interesting, without a repetitive effect.

* All colors shown in this publication are only sample colors and should not be considered as original ones.

UNICOLOR COLLECTION



White



Brown



Graphite

* All colors shown in this publication are only sample colors and should not be considered as original ones.



PANELS AND FINISHING PROFILES

SV(P)-07

Panel with visible perforation



* Mounted with SV(P)-08

SV(P)-08

Panel without perforation



* Mounted with SV(P)-07

SV(P/PU)-09

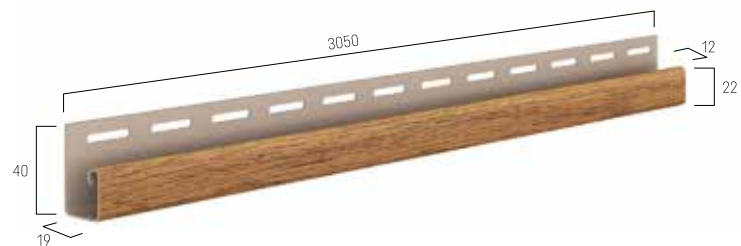
Panel with hidden perforation



* Self-assembled

SV(P/PU)-15

J profile

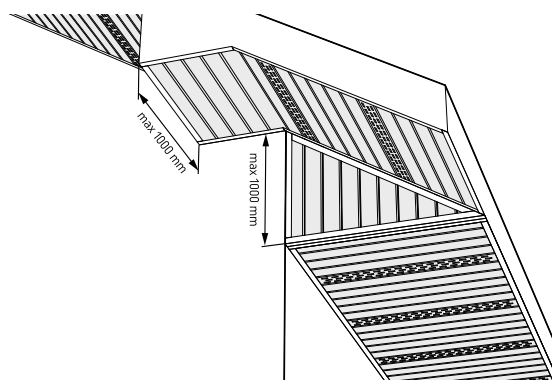
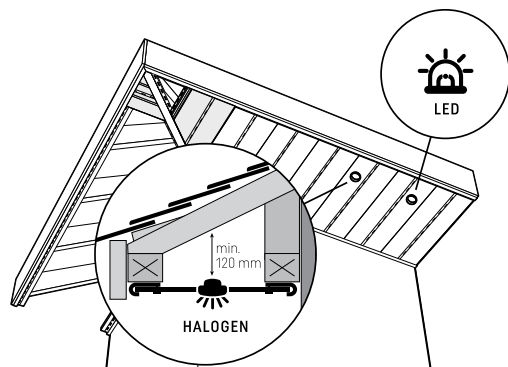
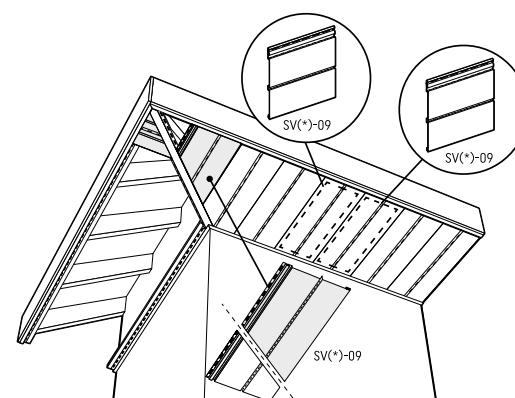
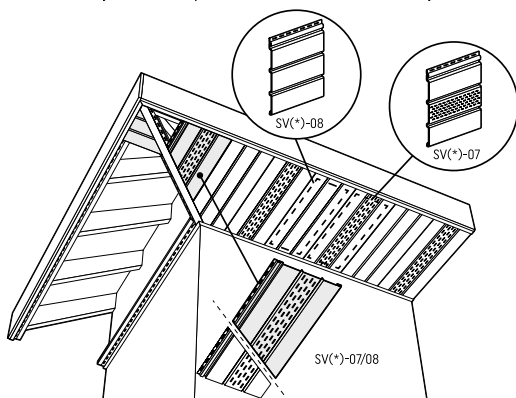
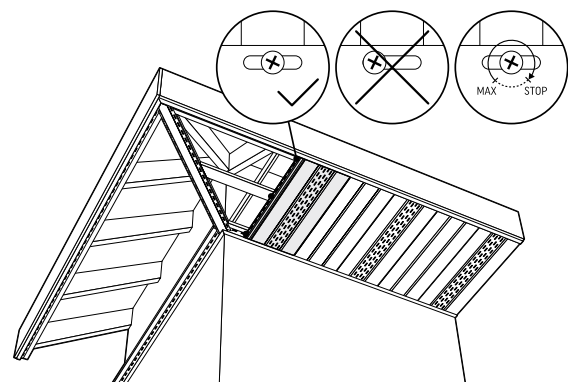
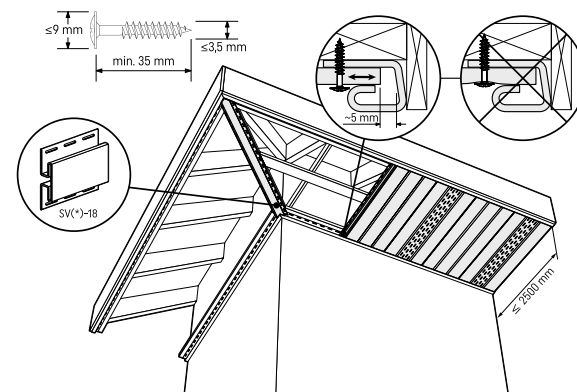
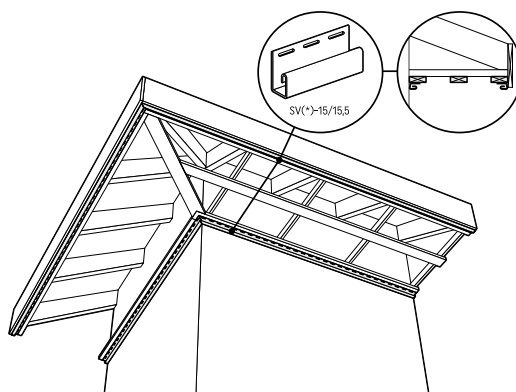
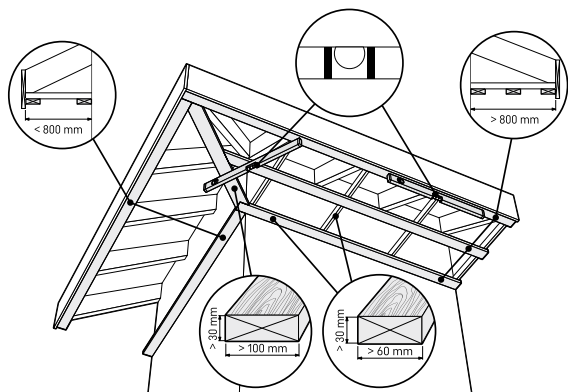


SV(P/PU)-18

Connector



ASSEMBLY INSTRUCTIONS



SV(*)=SV(P/PU)



Profile VOX Sp. z o.o. sp. k.
ul. Gdynska 143
62-004 Czerwonak
Poland

VOX Building Products Pvt. Ltd
6th Floor, Leela Collonnade, The Leela Palace, No. 23, HAL, Old Airport Rd,
Bengaluru - 560008, India
P: +91 80 4374 1810, E: customercare@voxindia.co

